

# TERMINAL BLOCK Connector

## PCB Series

KLS2-125-3.50/3.81 Series Pitch=3.50mm/3.81mm

### Electrical :

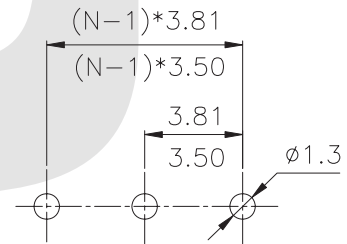
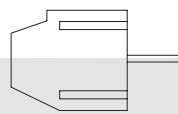
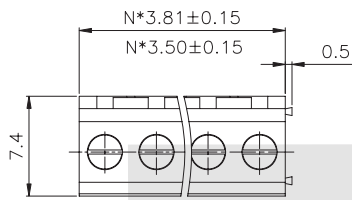
Rated voltage: 300V  
 Rated current: 10A  
 Contact resistance: 20mΩ  
 Insulation resistance: 5000MΩ/1000V  
 Withstanding Voltage: AC1500V/1Min  
 Wire range: 24-12AWG 1.5mm<sup>2</sup>

### Material

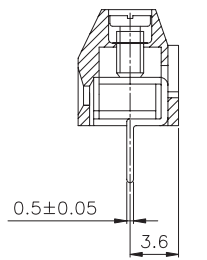
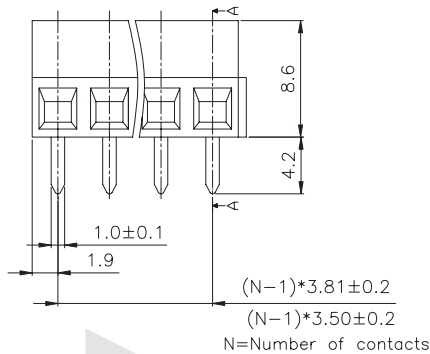
Screws: M2 steel Zinc plated  
 Contact: Brass  
 Pin header: Brass, Tin plated  
 Housing: PA66, UL94V-0

### Mechanical

Temp. Range: -40°C~+105°C  
 MAX Soldering: +250°C for 5 Sec.  
 Torque: 0.2Nm (1.8lb.in)  
 Strip length: 5-6mm



RECOMMEND PCB LAYOUT  
(TOLERANCE=±0.05)



SECTION A-A

## ORDER INFORMATION

Product NO.: KLS2-125-3.50-XXP X X X

Pos. NO.	Series No.	Pitch: 3.50=3.50mm 3.81=3.81mm	Number of Pole	Customer Request
				Screw: C=Cross Screw S=Slot Screw
				Color: 1=Gray 2=Blue 3=Black 4=Green 5=Orange 6=Red 7=Transparent 8=Yellow 9=White