

TERMINAL BLOCK Connector

PCB Series

KLS2-125H-3.50/3.81 Series Pitch=3.50mm/3.81mm

Electrical :

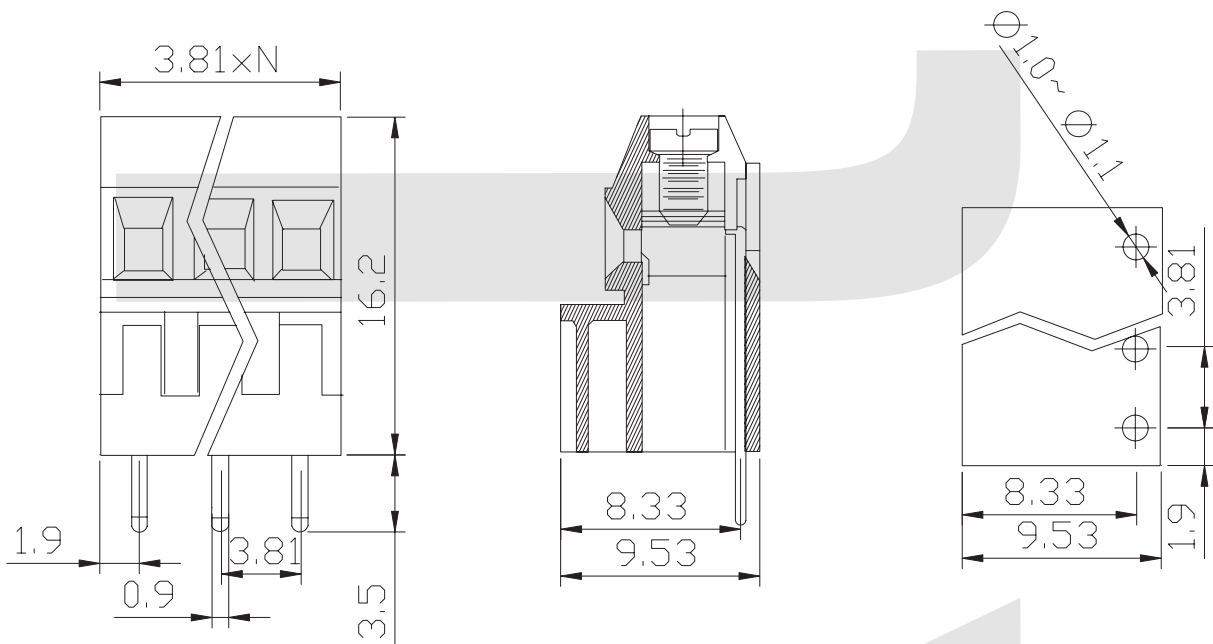
Rated voltage: 150V
 Rated current: 10A
 Contact resistance: 20mΩ
 Insulation resistance: 5000MΩ/1000V
 Withstanding Voltage: AC2000V/1Min
 Wire range: 26-16AWG 1.5mm²

Material

Screws: M2 steel Zinc plated
 Contact: Brass, Ni plated
 Pin header: Brass, Tin plated
 Housing: PA66, UL94V-0

Mechanical

Temp. Range: -40°C~+105°C
 MAX Soldering: +250°C for 5 Sec.
 Torque: 0.2Nm (1.7 lb.in)
 Strip length: 5-6mm



ORDER INFORMATION

Product NO.: KLS2-125H-3.81-XXP X X X

| | |
|-----------------------------------|--|
| Pos. NO. | Customer Request |
| Series No. | Screw: C=Cross Screw S=Slot Screw |
| Pitch: 3.50=3.50mm 3.81=3.81mm | Color: 1=Gray 2=Blue 3=Black 4=Green 5=Orange 6=Red 7=Transparent 8=Yellow 9=White |
| Number of Pole | |