

TERMINAL BLOCK Connector



PCB Series

KLS2-127-5.00/5.08 Series Pitch=5.00mm/5.08mm

Electrical :

Rated voltage: 300V
 Rated current: 12A
 Contact resistance: 20mΩ
 Insulation resistance: 5000MΩ/1000V
 Withstanding Voltage: AC1500V/1Min
 Wire range: 26-16AWG 1.5mm²

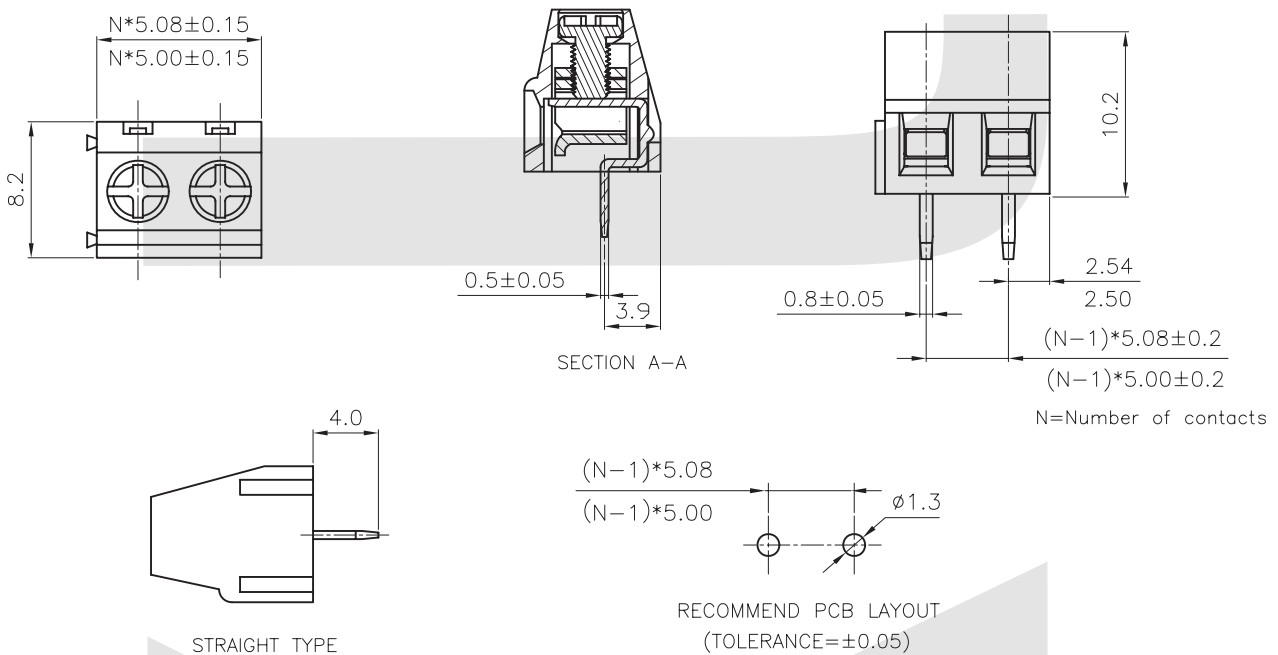
Material

Screws: M2.5 steel Zinc plated
 Contact: Brass
 Pin header: Brass, Tin plated
 Housing: PA66, UL94V-0



Mechanical

Temp. Range: -40°C~+105°C
 MAX Soldering: +250°C for 5 Sec.
 Torque: 0.5Nm (4.5lb.in)
 Strip length: 5-6mm



ORDER INFORMATION

Product NO.: KLS2-127-5.00-XXP X X X

| | |
|-----------------------------------|--|
| Pos. NO. | Customer Request |
| Series No. | Screw: C=Cross Screw S=Slot Screw |
| Pitch: 5.00=5.00mm 5.08=5.08mm | Color: 1=Gray 2=Blue 3=Black 4=Green 5=Orange 6=Red 7=Transparent 8=Yellow 9=White |
| Number of Pole | |