

TERMINAL BLOCK Connector

PCB Series

KLS2-301-5.00 Series Pitch=5.00mm/10.00mm

Electrical :

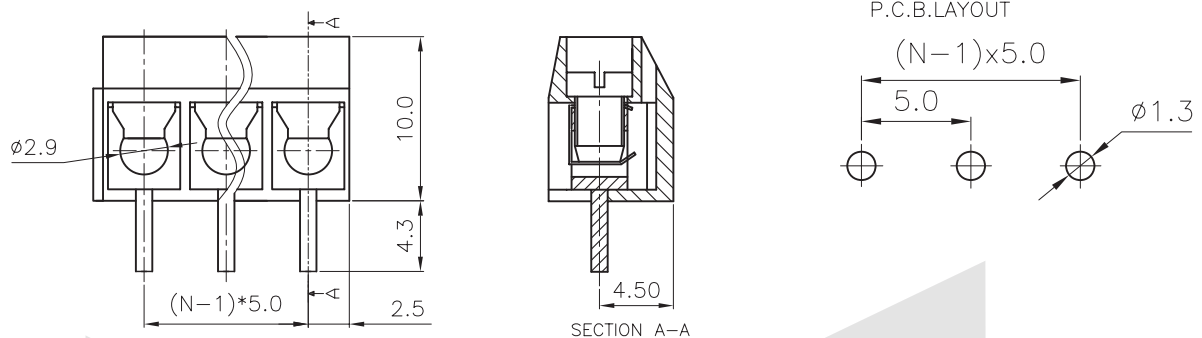
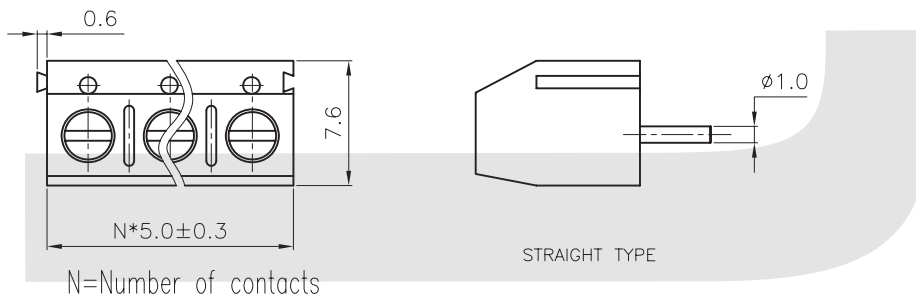
Rated voltage: 300V
Rated current: 16A
Contact resistance: 20mΩ
Insulation resistance: 5000MΩ/1000V
Withstanding Voltage: AC1500V/1Min
Wire range: 22-14AWG 2.5mm²

Material

Screws: M3 steel Zinc plated
Wire guard: phosphor bronze Ni plated or stainless steel
Pin header: Brass, Tin plated
Housing: PBT,UL94V-0

Mechanical

Temp. Range: -30°C~+120°C
MAX Soldering: +250°C for 5 Sec.
Torque: 0.5Nm (4.5lb.in)
Strip length: 4.5-5mm



ORDER INFORMATION

Product NO.: KLS2-301-5.00-XXP X X X

Pos. NO.	Customer Request
Series No.	Screw: C=Cross Screw S=Slot Screw
Pitch: 5.00=5.00mm 10.00=10.00mm	Color: 1=Gray 2=Blue 3=Black 4=Green 5=Orange 6=Red 7=Transparent 8=Yellow 9=White
Number of Pole	