

# TERMINAL BLOCK Connector



## PCB Series

KLS2-306V-5.00 Series Pitch=5.00mm/10.00mm

### Electrical :

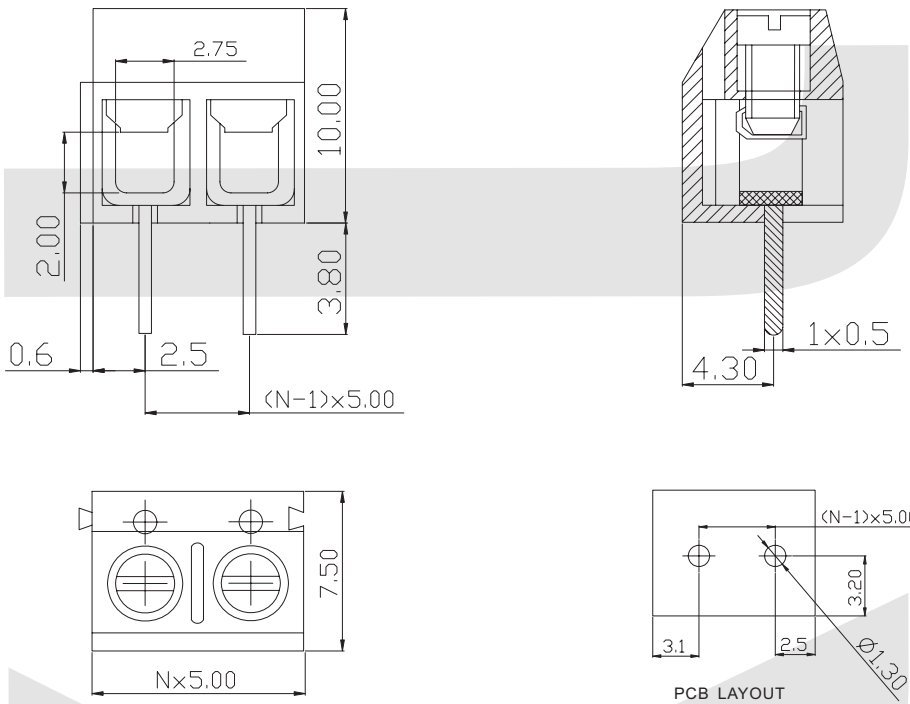
- Rated voltage: 300V
- Rated current: 10A
- Contact resistance: 20mΩ
- Insulation resistance: 5000MΩ/1000V
- Withstanding Voltage: AC2000V/1Min
- Wire range: 22-14AWG 1.5mm<sup>2</sup>

### Material

- Screws: M2.5 steel Zinc plated
- Wire guard: Stainless steel I
- Pin header: Brass, Tin plated
- Housing: PBT, UL94V-0

### Mechanical

- Temp. Range: -30°C~+120°C
- MAX Soldering: +250°C for 5 Sec.
- Torque: 0.4Nm (3.6 lb.in)
- Strip length: 4.5-5mm



## ORDER INFORMATION

Product NO.: KLS2-306V-5.00-XXP X X X

- |                      |                      |          |         |
|----------------------|----------------------|----------|---------|
| Pos. NO. _____       | Customer Request     |          |         |
| Series No. _____     | Screw: C=Cross Screw |          |         |
| Pitch: 5.00=5.00mm   | S=Slot Screw         |          |         |
| 10.00=10.00mm        | Color: 1=Gray        | 2=Blue   | 3=Black |
| Number of Pole _____ | 4=Green              | 5=Orange | 6=Red   |
|                      | 7=Transparent        | 8=Yellow | 9=White |