

TERMINAL BLOCK Connector

PCB Series

KLS2-333K-3.50 Series Pitch=3.50mm

Electrical :

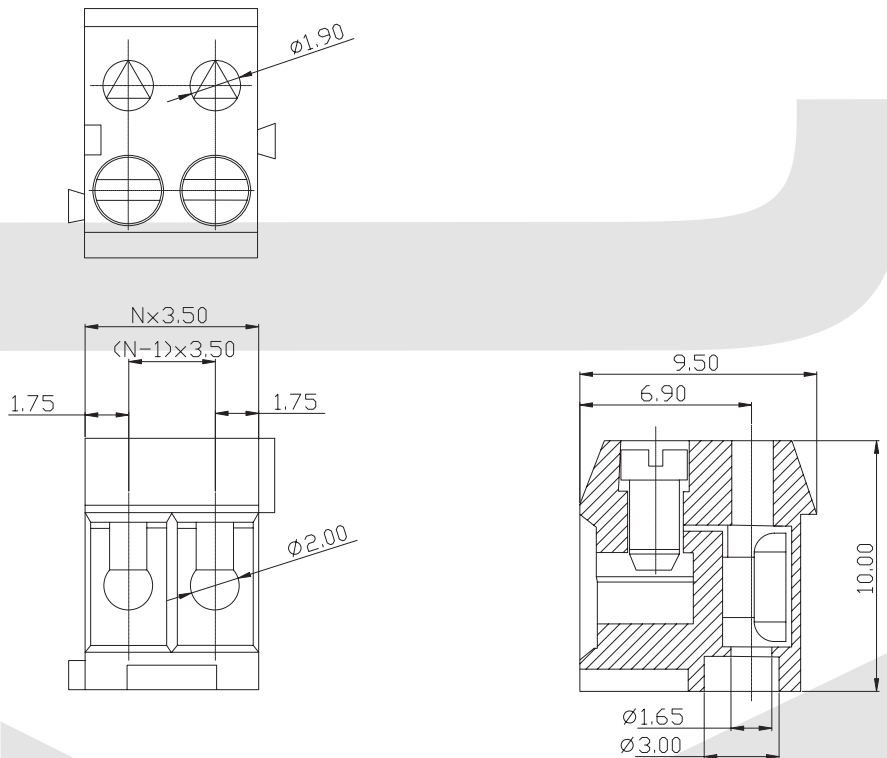
Rated voltage: 300V
Rated current: 10A
Contact resistance: 20mΩ
Insulation resistance: 5000MΩ/1000V
Withstanding Voltage: AC2000V/1Min
Wire range: 28-18AWG 1.0mm²

Material

Screws: M2 steel Zinc plated
Reed: Phosphor Bronze, Electroless nickel
Pin header: Brass, Tin plated
Housing: PBT, UL94V-0

Mechanical

Temp. Range: -40°C~+105°C
MAX Soldering: +250°C for 5 Sec.
Torque: 0.2Nm (1.7 lb.in)
Strip length: 4.5-5mm



ORDER INFORMATION

Product NO.: KLS2-333K-3.50-XXP X X X

Pos. NO. _____	_____	_____	_____	_____	_____	Customer Request
Series No. _____	_____	_____	_____	_____	_____	Screw: C=Cross Screw S=Slot Screw
Pitch: 3.50=3.50mm	_____	_____	_____	_____	_____	Color: 1=Gray 2=Blue 3=Black 4=Green 5=Orange 6=Red 7=Transparent 8=Yellow 9=White
Number of Pole _____	_____	_____	_____	_____	_____	