

# TERMINAL BLOCK Connector



## PCB Series

KLS2-340-3.81 Series Pitch=3.81mm

### Electrical :

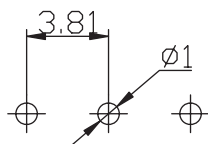
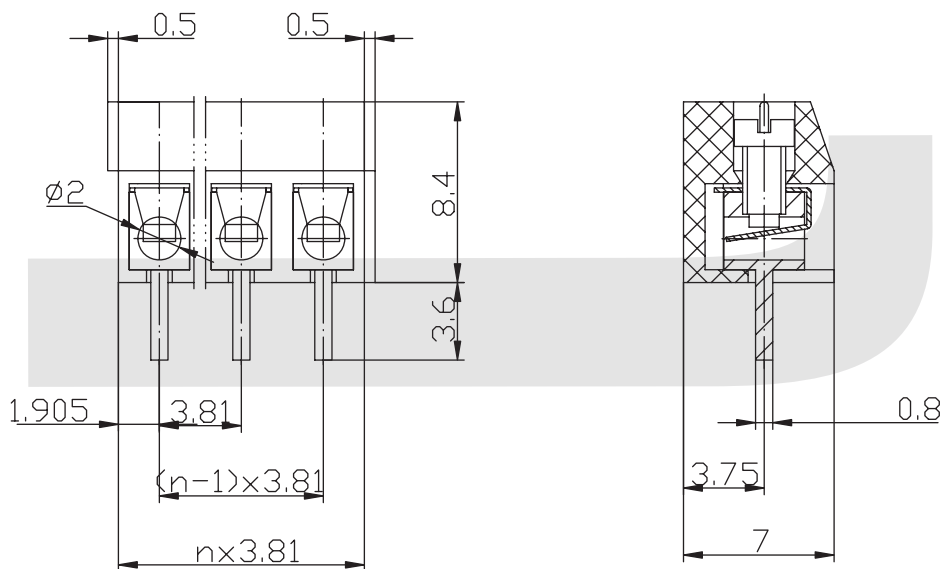
Rated voltage: 250V  
 Rated current: 10A  
 Contact resistance: 20mΩ  
 Insulation resistance: 5000MΩ/1000V  
 Withstanding Voltage: AC1500V/1Min  
 Wire range: 24-18AWG, 1.0mm<sup>2</sup>

### Material

Screws: M2 steel Zinc plated  
 Wire guard: phosphor bronze Ni plated  
 Pin header: Brass, Tin plated  
 Housing: PBT

### Mechanical

Temp. Range: -40°C~+105°C  
 MAX Soldering: 250°C for 5 Sec.  
 Torque: 0.2Nm  
 Strip length: 5-6mm



## ORDER INFORMATION

Product No.: KLS2-340-3.81-XXP-X X

Pos. No. \_\_\_\_\_

Series No. \_\_\_\_\_

Pitch: 3.81=3.81mm \_\_\_\_\_

Number of Pole \_\_\_\_\_

Screw: C=Cross Screw  
 S=Slot Screw

Color: 1=Gray 2=Blue 3=Black  
 4=Green 5=Orange 6=Red  
 7=Transparent 8=Yellow 9=White