

TERMINAL BLOCK Connector



PCB Series

KLS2-126R-5.00 Series Pitch=5.00mm/10.00mm

Electrical :

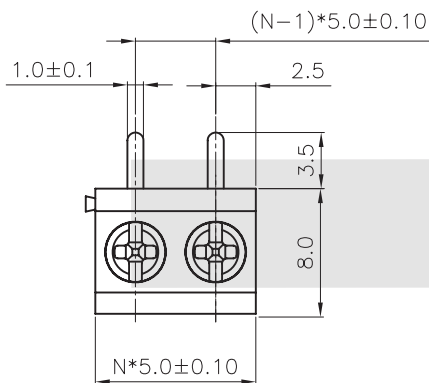
Rated voltage: 300V
Rated current: 10A
Contact resistance: 20mΩ
Insulation resistance: 5000MΩ/1000V
Withstanding Voltage: AC1500V/1Min
Wire range: 22-14AWG 2.5mm²

Material

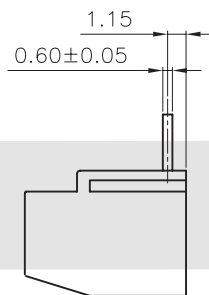
Screws: M2.5 steel Zinc plated
Wire guard: phosphor bronze Ni plated or stainless steel
Pin header: Brass, Tin plated
Housing: PA66, UL94V-0

Mechanical

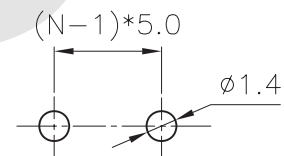
Temp. Range: -40°C~+105°C
MAX Soldering: +250°C for 5 Sec.
Torque: 0.4Nm (3.6lb.in)
Strip length: 6-7mm



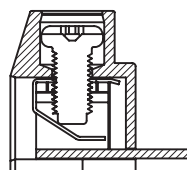
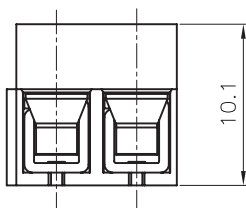
N=Number of contacts



STRAIGHT TYPE



RECOMMEND PCB LAYOUT
(TOLERANCE=±0.05)



SECTION A-A

ORDER INFORMATION

Product NO.: KLS2-126R-5.00-XXP X X X

Pos. NO.

Series No.

Pitch: 5.00=5.00mm
10.00=10.00mm

Number of Pole

Customer Request

Screw: C=Cross Screw
S=Slot Screw

Color: 1=Gray
4=Green
7=Transparent

2=Blue
5=Orange
8=Yellow

3=Black
6=Red
9=White